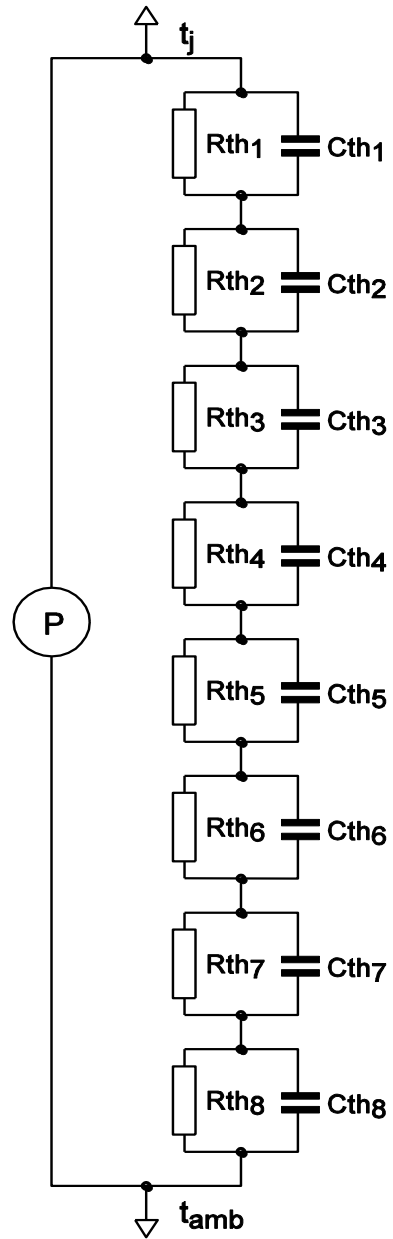


SPICE thermal model

BUK9M52-40E

| Symbol | Parameter | Conditions | Min | Typ | Max | Unit |
|----------------|---|------------|-----|-----|------|------|
| $R_{th(j-mb)}$ | thermal resistance from junction to mounting base | | - | - | 4.80 | K/W |

| | |
|-----------|--------------------|
| C_{th1} | 6.427E-06 F |
| C_{th2} | 7.431E-05 F |
| C_{th3} | 4.432E-05 F |
| C_{th4} | 1.193E-03 F |
| C_{th5} | 3.891E-04 F |
| C_{th6} | 4.302E-03 F |
| C_{th7} | 2.916E-03 F |
| C_{th8} | 1.758E+01 F |
| R_{th1} | 6.908E-03 Ω |
| R_{th2} | 1.926E-02 Ω |
| R_{th3} | 1.262E-01 Ω |
| R_{th4} | 9.094E-02 Ω |
| R_{th5} | 1.997E+00 Ω |
| R_{th6} | 2.197E+00 Ω |
| R_{th7} | 3.449E-01 Ω |
| R_{th8} | 1.685E-02 Ω |



001aal768

Part: BUK9M52-40E
 Date: 3/3/2016
 Model Rth 4.80 K/W